

Orion® X-Y Guide Star Finder

#52061

Congratulations on your purchase of the Orion X-Y Guide Star Finder. Your Guide Star Finder enables you to easily acquire a guide star through your guide scope without the need to physically move the position of the guide scope. This convenient astro-imaging accessory thereby eliminates the need to use adjustable guide scope tube rings which also reduces tracking problems associated with tube flexure.

Attaching the X-Y Guide Star Finder to a Guidescope

The Guide Star Finder is equipped with a standard removable 1.25" nosepiece and female camera T-threads, ready to attach to most telescopes. You can either insert the Guide Star Finder like an eyepiece using the 1.25" nosepiece, or attach it directly to your guide scope focuser using the T-threads.

Using the 1.25" Nosepiece

If your telescope features a 1.25" focuser or adapter, the easiest way to attach the Guide Star Finder is by using the included 1.25" nosepiece. Simply insert the nosepiece into your telescope's 1.25" adapter and secure it by tightening the thumbscrew (Figure 1).

Using T-threads

Some Orion telescopes (in this case, used as a guide scope) feature focus adapters with exterior T-threads. If you are using such a telescope, you can attach the Guide Star Finder body directly to the T-threads without using the 1.25" nosepiece. Remove the 1.25" nosepiece. Then carefully attach the Guide Star Finder body to the T-threads (Figure 2).

Attaching an Autoguider to the X-Y Guide Star Finder

The X-Y Guide Star Finder's 1.25" eyepiece holder accommodates any standard autoguider with a 1.25" nosepiece (such as the Orion StarShoot AutoGuider). Simply insert the autoguider into the eyepiece holder and secure the locking thumbscrew. You can alternatively use a reticle eyepiece if you are not using an autoguider.

The Guide Star Finder requires approximately 38mm of additional inward focus travel.

Adjusting the X-Y Guide Star Finder

The Guide Star Finder moves your autoguider within the focal plane of your guide scope to find a guide star. If, for example, a guide star is not found in the center of the guide scope's focal plane, a star may still exist somewhere off-axis in the same focal plane. By adjusting the position of the Guide Star Finder, you can find and center a guide star anywhere in the focal plane without physically moving the guide scope.

The Guide Star Finder can be adjusted in the "X" and "Y" axes, or relative up/down and left/right (Figure 3). Simply turn the position adjustment knobs clockwise or counter-clockwise to move the

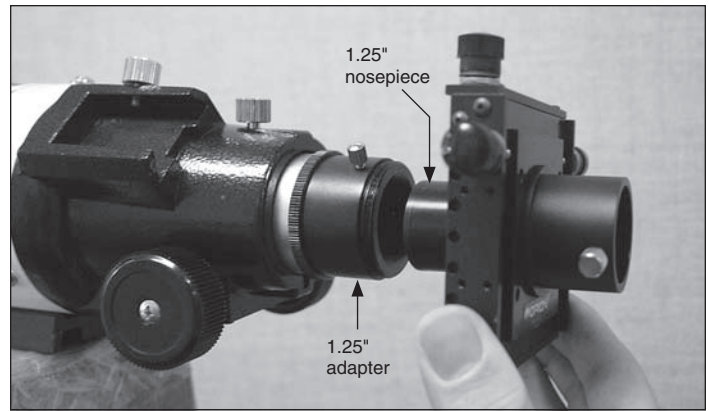


Figure 1. Insert the guide star finder's nosepiece into your telescope's 1.25" adapter.

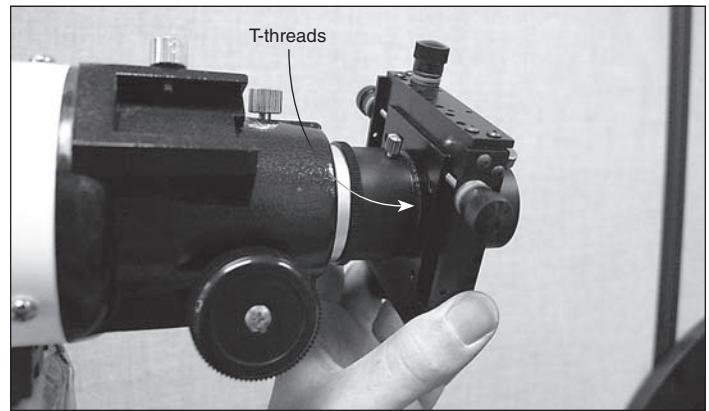


Figure 2. Remove the guide star finder's nosepiece and thread the guide star finder body onto your telescope's T-threads.

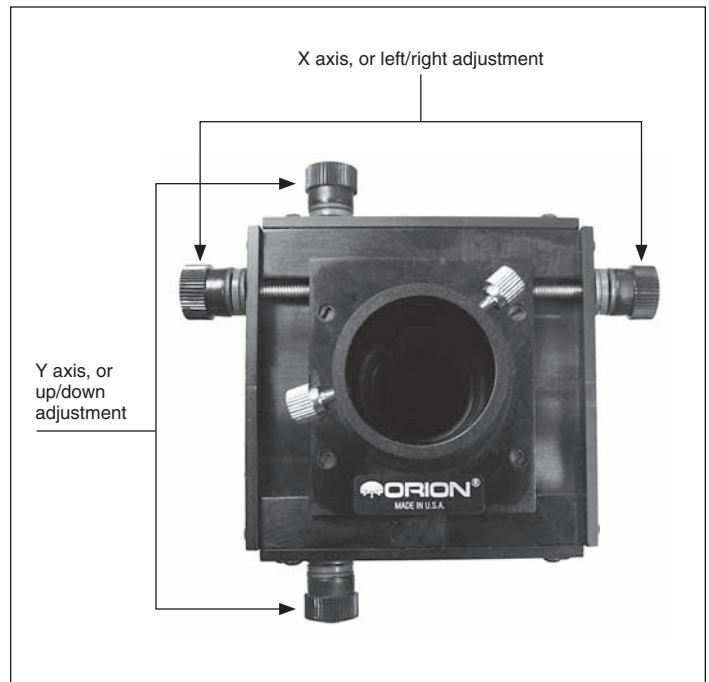


Figure 3. The guide star finder can be adjusted in the "X" and "Y" axes. Each axis has two position adjustment knobs to provide easy access at different guide scope orientations.



Figure 4.1 and 4.2. Simply turn the position adjustment knobs clockwise or counter-clockwise to move the Guide Star Finder as needed to locate a guide star. (Shown with optional StarShoot AutoGuider, available from Orion.)

Guide Star Finder as needed to locate a guide star (Figure 4.1 and 4.2). Each axis has two position adjustment knobs to provide easy access at different guide scope orientations.

Care and Storage

The X-Y Guide Star Finder is very durable, but it should be treated with care to last a lifetime. Store the Guide Star Finder in its original packaging when not in use.

Specifications

Body construction:	Machined aluminum
Adjustment range:	+/- 13.8mm (0.54") in X and Y
Additional inward focus travel requirement:	38mm (1.5")
Camera connection:	Removable 1.25" holder, optional female T-threads
Guide scope connection:	Removable 1.25" nosepiece, optional female T-threads
Dimensions:	96.5mm x 96.5mm x 69.8mm (3.8" x 3.8" x 2.75")
Weight:	340g (12oz.)

One-Year Limited Warranty

The Orion X-Y Guide Star Finder is warranted against defects in materials or workmanship for a period of one year from the date of purchase. This warranty is for the benefit of the original retail purchaser only. During this warranty period Orion Telescopes & Binoculars will repair or replace, at Orion's option, any warranted instrument that proves to be defective, provided it is returned postage paid to: Orion Warranty Repair, 89 Hangar Way, Watsonville, CA 95076. If the product is not registered, proof of purchase (such as a copy of the original invoice) is required.

This warranty does not apply if, in Orion's judgment, the instrument has been abused, mishandled, or modified, nor does it apply to normal wear and tear. This warranty gives you specific legal rights, and you may also have other rights, which vary from state to state. For further warranty service information, contact: Customer Service Department, Orion Telescopes & Binoculars, 89 Hangar Way, Watsonville, CA 95076; (800) 676-1343.



OrionTelescopes.com

Customer Support (800)-676-1343

E-mail: support@telescope.com

Corporate Offices (831)-763-7000

89 Hangar Way, Watsonville CA 95076