

Orion® SkyLine™ Deluxe GLP to Telescope Bracket

#52062

Congratulations on your purchase of a quality product from Orion. This bracket will couple your SkyLine Green Laser Pointer to your telescope (and may work with other, similar green laser pointers.) When properly aligned with your telescope the laser pointer will indicate where you are currently pointing without having to look through a finder. This makes finding objects in your telescope much easier. This also allows you to adjust your telescope from a more natural, standing position. You will find aiming your telescope with the SkyLine Green Laser Pointer is a more rewarding and fun experience overall.

Parts List (Figure 1)

Bracket (with nylon thumbscrews installed)

On/off collar

3x very small setscrews

Knurled metal thumbscrew

Small hex key

Assembly

1. Install the three small setscrews and the knurled metal thumbscrew into the on/off collar. Use the small hex key to install the setscrews.
2. Now, slide the on/off collar onto your SkyLine green laser pointer. You may need to loosen the setscrews and thumbscrew to do this. Position the on/off collar so that the thumbscrew is directly above the laser pointer's on/off button. Tighten the three setscrews equally with the small hex key to secure the on/off collar in place (Figure 2).
3. Loosen the nylon thumbscrews on the bracket, and slide the laser pointer into the bracket. The rear of the laser pointer should first pass through the forward ring of the bracket. To pass the laser through the rear ring, you must pull the spring tensioner back with your fingers (Figure 3).
4. Tighten the nylon thumbscrews equally to secure the laser in the bracket.
5. Attach the GLP Bracket to your telescope as you would any finder bracket. Insert the base of the bracket into the dovetail holder located adjacent to the focuser. (An optional Dovetail Base is available through Orion Customer Service if your telescope does not include one.) Lock the bracket into position by tightening the knurled thumbscrew on the dovetail holder (Figure 4).

Now that the laser and bracket are installed on your telescope, the laser must be aligned so that it points to the center of the telescope's field of view.

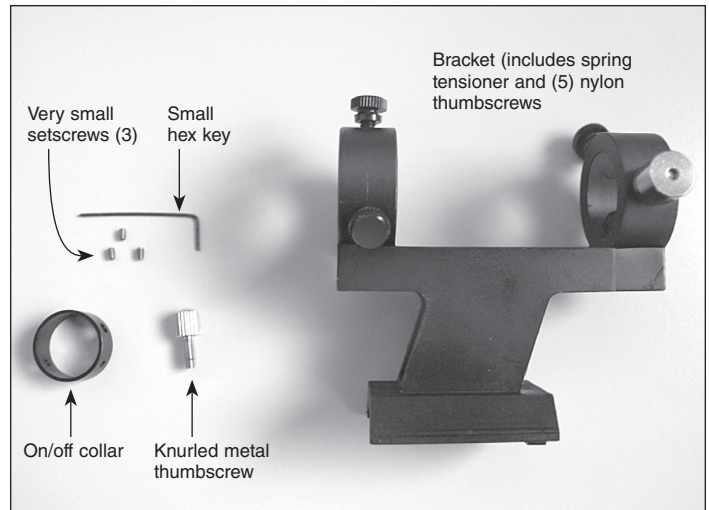


Figure 1. Included parts.

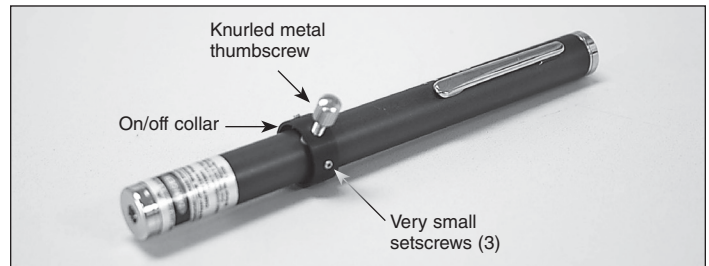


Figure 2. The SkyLine green laser pointer with on/off collar attached.

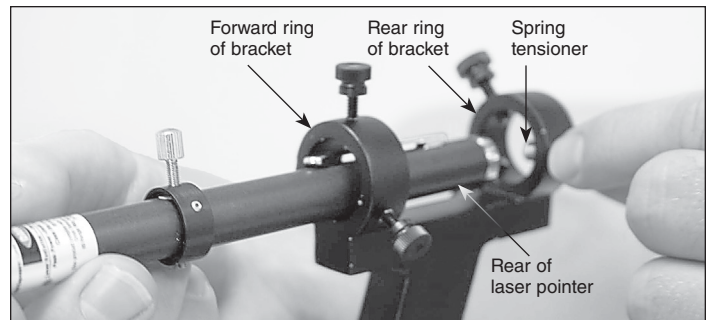


Figure 3. To insert the laser into the bracket, the rear of the laser pointer should first pass through the forward ring of the bracket. To pass the laser through the rear ring, you must pull the spring tensioner with your fingers.

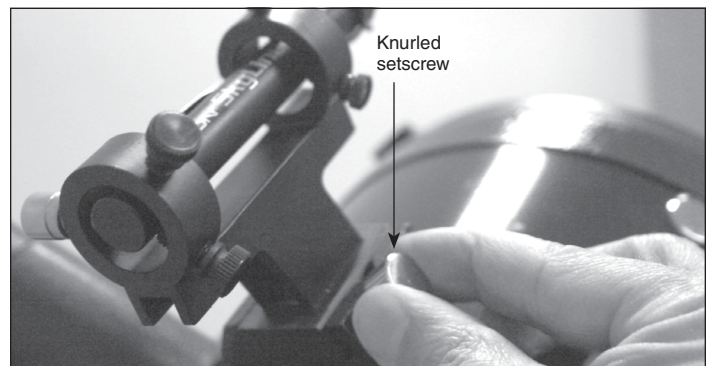


Figure 4. Slide the dovetail foot of the Laser Bracket into the dovetail holder of your telescope and secure it in place with the knurled setscrew on the side.

Aligning the Laser Pointer

Aligning the laser pointer with a telescope is easy to do. It should be done outdoors by aligning on a fixed target or a bright star.

1. Point your telescope at a target that is 100 feet or further away. Using a low power 25mm eyepiece look through the telescope, and make sure that the object is centered in the field of view.
2. Turn the green laser pointer on by rotating the knurled metal thumbscrew on the on/off collar clockwise.
3. Use the two larger thumbscrews in the rear ring of the bracket to adjust the laser until it is pointing to the same target that the telescope is centered on. Adjust one thumbscrew at a time, the spring tensioner will ensure that the laser pointer will stay secure in the bracket. If you cannot adjust the laser to point where you want by just using the two larger thumbscrews, then make additional adjustments to the three smaller thumbscrews in the forward ring of the bracket.
4. If you have a higher power eyepiece you can repeat steps 1-3. The narrower field of view will increase the accuracy of the alignment.

Once the laser points to the same target that the telescope is centered on, the laser is aligned with the telescope. You're ready to use the green laser pointer with the telescope under the night sky.

Using the Laser Pointer while Observing.

Turn on the green laser pointer by rotating the metal thumbscrew on the on/off collar clockwise. You will now see the green laser beam extending into the night sky. Where the end of the laser beam terminates is where the telescope is currently pointing to (if the laser is properly aligned). As you move your telescope the laser beam will move through the sky along with it. Use constellations or bright stars near the desired object to acquire your target in the telescope. Be sure to turn off your laser pointer after you have acquired your target and when not in use.

If you are at a public viewing session you will want to limit your use of the laser to finding objects only. If there are people nearby astrophotography the laser beam could affect their images. Intentionally pointing a laser at passing aircraft is dangerous and illegal. Please be aware of this and use caution when pointing any laser into the sky.

One-Year Limited Warranty

This Orion product is warranted against defects in materials or workmanship for a period of one year from the date of purchase. This warranty is for the benefit of the original retail purchaser only. During this warranty period Orion Telescopes & Binoculars will repair or replace, at Orion's option, any warranted instrument that proves to be defective, provided it is returned postage paid. Proof of purchase (such as a copy of the original receipt) is required. This warranty is only valid in the country of purchase.

This warranty does not apply if, in Orion's judgment, the instrument has been abused, mishandled, or modified, nor does it apply to normal wear and tear. This warranty gives you specific legal rights. It is not intended to remove or restrict your other legal rights under applicable local consumer law; your state or national statutory consumer rights governing the sale of consumer goods remain fully applicable.

For further warranty information, please visit www.OrionTelescopes.com/warranty.



Corporate Offices: 89 Hangar Way, Watsonville CA 95076 - USA
Toll Free USA & Canada: (800) 447-1001
International: +1(831) 763-7000
Customer Support: support@telescope.com

Copyright © 2020 Orion Telescopes & Binoculars. All Rights Reserved. No part of this product instruction or any of its contents may be reproduced, copied, modified or adapted, without the prior written consent of Orion Telescopes & Binoculars.